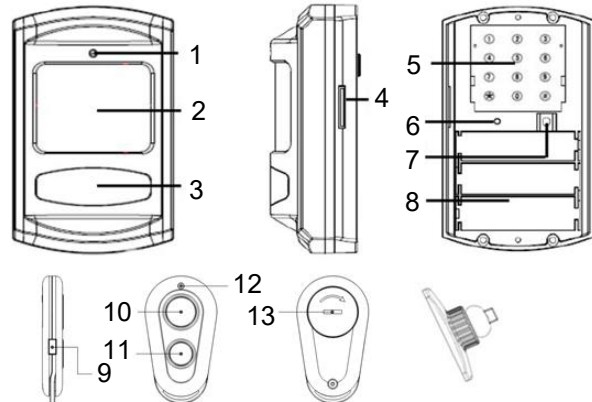


Dear customer, thank you for purchasing our product. Please read the following instructions carefully and follow them to serve you safely and to your full satisfaction. This will prevent misuse or damage. Avoid unprofessional handling of this appliance and always observe the electrical appliance usage guidelines. Keep the instruction manual carefully. For use in the home or indoors. This product should only be used by an adult. Never expose to environments with high humidity (e.g. bathroom, outdoor environment, etc.), avoid contact of the product with liquids. Read the **entire manual carefully before beginning installation to fully understand all functions.**

Package contents and description of individual parts

Package includes main unit, remote control and rotating wall bracket.

1. LED indicator
2. PIR sensor for motion detection
3. Speaker
4. Slot for simcard
5. Touch keyboard
6. Microphone
7. "Learning code" button
8. Space for batteries
9. "Learning code" button
10. "ARM" button (alarm on)
11. "CLR" button (alarm off)
12. LED indicator
13. Swivel battery cover



To insert a SIM card

1. The device requires the use of a SIM card without PIN security. Therefore, make sure that the SIM card is not set with a PIN before inserting it. Otherwise, cancel it using your mobile phone. You can find out how to cancel the PIN on your mobile phone in your phone's user manual.
2. Insert the SIM card into the slot on the right side (front view) of the main unit with the contact surface facing upwards and the slanted corner in the top left corner. An audible click indicates that the SIM card has been inserted correctly and is secured against falling out.
3. To remove the SIM card from the device, press it to release the lock.

Note: The device only supports NanoSIM.

Inserting batteries

1. Using a cross screwdriver, unscrew the two screws on the back of the main unit.
2. Insert three 1.5V AA pencil batteries. Observe the marked polarity. Use only alkaline batteries. The device will beep briefly when the last battery is inserted. This indicates that the batteries have been inserted correctly. Do not close the battery cover yet, in the following chapters you will need access to the keypad, which would be made inaccessible by the cover.
3. Insert a flat-blade screwdriver into the slot in the battery cover on the back of the remote control and turn it to the left. Open the cover and insert the CR2032 battery with the positive terminal facing up. Then close the cover and turn it to the right to secure it.

Assigning the driver to the main unit

The alarm is deactivated by default. Only in the deactivated state can the remote control and other accessories be assigned. To assign the remote control to the main unit, press and hold button 7 "Learning code" on the back of the main unit and simultaneously press and hold button 9 "Learning code" on the remote control. When you hear a double beep, you can release both buttons. The pairing was successful. You can also pair other accessories that can be purchased separately in this way.

Unpairing: If you need to unpair the assigned controller or accessory from the main unit, press and hold button 7 while removing one battery for at least 5 seconds. Keep the button pressed for 5 seconds and reinsert the battery. You will hear a triple beep to indicate that all paired devices have been cleared from memory. Then release button 7.

Note: The maximum transmission distance is 80m without obstacles.

Activating the keyboard

The keypad can only be activated when the alarm is in the deactivated state. To activate the keypad, briefly press button 7. A short beep will sound to confirm successful activation of the keypad. Enter commands by lightly touching each key. Each successful touch is indicated by a short beep. The keypad locks automatically after 15 seconds of inactivity.

Setting up phone numbers

The device allows you to set up to three phone numbers to call and send SMS to. The procedure for adding a number is as follows:

1. Activate the keyboard
2. Enter the first number using a string of digits in the format ***1 phone number*** (asterisk->digit 1->phone number->asterisk).
3. After pressing the last star, the phone number will be saved. Successful storage is indicated by the triple flashing of the green LED indicator 1 on the front of the device. If you make a mistake in the entry, simply repeat the entire procedure to add the number again.
4. Use the same procedure to add the second and third numbers (if you want to enter them), but instead of digit 1, press digit 2 and digit 3 respectively. For example, to add the second number 602 123 456, enter: *2602123456*

To delete a phone number, enter: *N*, where "N" indicates the order of the phone number, i.e. to delete e.g. the second phone number, enter the following sequence of commands: *2*. Successful deletion is indicated by green LED indicator 1.

Note: The phone number can contain a maximum of 17 digits and can be entered without an international dialling code. **Never enter numbers for police, fire, ambulance or other similar agencies.** Only enter numbers for the nearest people you trust.

The device works as follows. When motion is detected, the time to turn off the alarm starts - 5 seconds. After this time has elapsed, an audible alarm (if enabled) will sound for 30 seconds. During this time, the device will start a telephone call to contact all set telephone numbers and play a voice recording. Subsequently, if the SMS function is activated, the device sends an SMS to all telephone numbers with the text "Alarm system trigger!".

Note: The device will make three attempts to make a telephone connection. If you have only one phone number set, the device will dial it 3 times, even if the call is answered on the first attempt. If you have set up two numbers, the device dials the first number first, then dials the second number independently of the success/failure of the connection, and then dials the first number again. If you have set three numbers, the device dials all three numbers.

Activate/Deactivate SMS function

The SMS function is already partially described in the previous paragraph. In addition to notifying you when an alarm is triggered, this function can also alert you when the battery is low. To activate/deactivate it, proceed as follows.

1. Activate the keyboard
2. Press #9# (grid symbol->number 9->grid symbol).
3. The device confirms the activation of the SMS function with a double beep.
4. Use the same method to deactivate the function. Deactivation is confirmed by a single beep.
5. The content of the SMS message in case of low battery voltage is as follows: "GSM Alarm Low Battery!"

Note: The device informs only the main units by SMS of low battery. Low batteries on accessories are indicated only by the LED on the accessory. The SMS indicates that the batteries will need to be replaced soon, not that they are already completely dead. Completely discharged batteries are indicated by a lit LED.

Silent mode

If silent mode is activated, the device will not sound an alarm when motion is detected, but will start dialling preset phone numbers and sending SMS if this function is enabled. To activate silent mode, do the following:

1. Activate the keyboard
2. Press *7* (star symbol->number 7->star symbol).
3. The device confirms the activation of silent mode by beeping.
4. Use the same method to deactivate the function. Deactivation is confirmed by a double beep.

Note: Silent mode applies to the main unit only. Additional siren and other accessories are not affected by silent mode.

To record a voice recording

The device allows you to record your own message to be played during a phone call. To record a message, do the following:

1. Activate the keyboard
2. Press #1# (grid symbol->number 1->grid symbol).
3. LED indicator 1 lights up for six seconds. This is the time to record your message.
4. To change the message, repeat the procedure described above.

Now the device is set up and almost ready to use.

Placing the equipment on the table

The device can be placed on a table or any other flat surface. However, we strongly recommend placing it on a wall at a height that is not normally reachable. A would-be thief cannot destroy it and thus avoid contacting the owner of the monitored area. If you place the device on a table, you can close the battery cover.

Placing the device on the wall

Choose the location of your choice. The device can detect motion from 1m to 10m and within a range of 90° vertically and 140° horizontally. Therefore, the device must be positioned within this range from the expected motion detection location.

1. Before installing it on the wall, first test whether the device is capable of detecting movement in that location.
2. Unscrew the ball joint from the holder.
3. Mark and drill holes in the wall and screw the bracket to the wall.
4. Remove the battery cover and screw it to the ball joint.
5. Replace the battery cover and attach the entire assembly to the wall bracket.
6. Set the desired angle and tighten the ball joint with the plastic nut.

Alarm activation/deactivation

When you leave the room, press button 11 "ARM" on the remote control to activate the alarm and all connected accessories. The device will beep once and the red LED indicator will flash. From this point you have 30 seconds to leave the room. After this time the device will be ready to detect motion.

The device beeps briefly when you enter the room. You have five seconds to silence the alarm before the alarm is triggered. To silence, press button 11 (CLR).

Note: There may be a delay of up to 60 seconds before dialing a phone number. Most often, however, dialing begins within 30 seconds.

Technical parameters:

Sensor range: 1-8m

Horizontal detection: 110°

Vertical detection: 60°

Volume: 110 - 130dB

Transmission frequency: 868MHz

Power: 3x AA alkaline batteries

Type of protection: IP20

Battery life:

- main unit: approx. 5 months

- remote control: approx. 18 months

The product has been issued with a CE Declaration of Conformity in accordance with the applicable regulations. On request from the importer at www.solight.cz